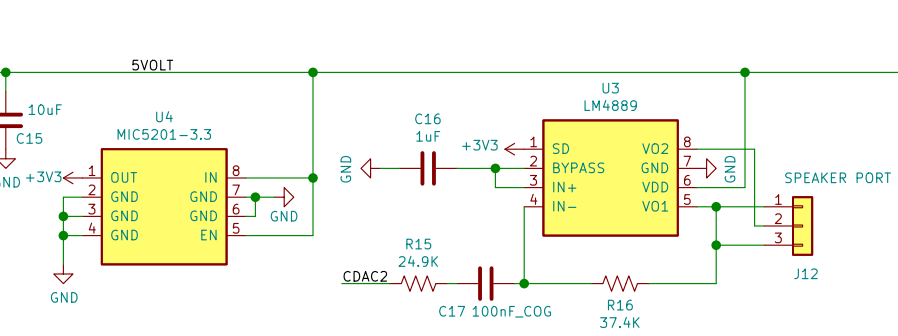
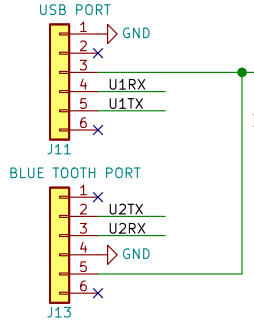
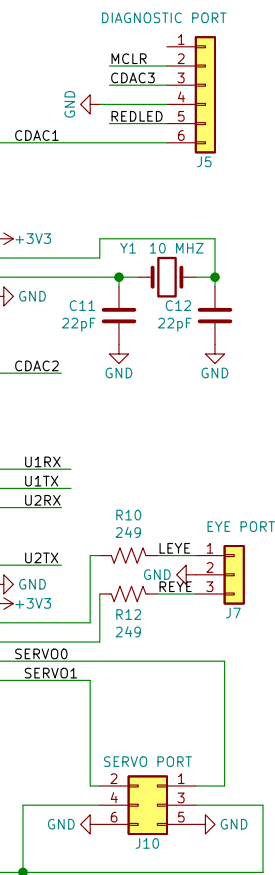
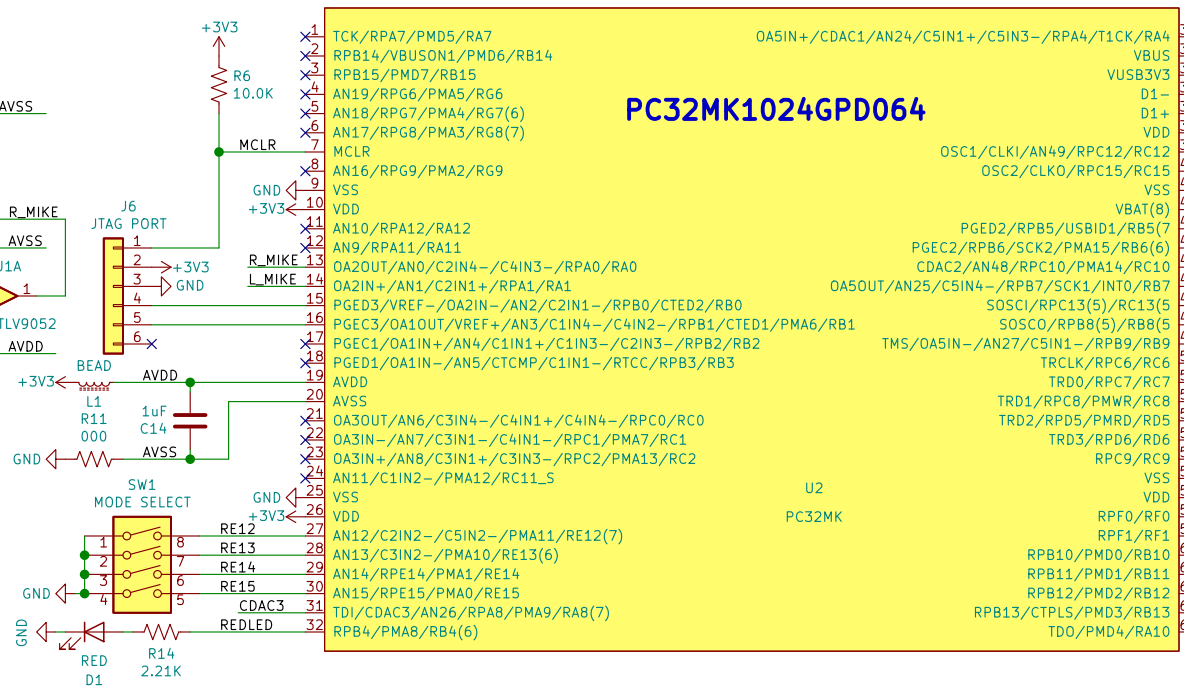


// Configure UART1 PC32MK1024GPD064
 U1RX = 0x05; // connect U1RX to C6
 RPC7R = 0x01; // connect U1TX to C7

// Configure UART2 PC32MK1024GPD064
 U2RXR = 0x06; // connect U2RX to C8
 RPC9R = 0x02 ; // connect U2TX to C9



VERONA SCIENTIFIC
 VERSCI.COM
 Sound Locating Cat, Rev 5
 August 27, 2021